

Descrizione

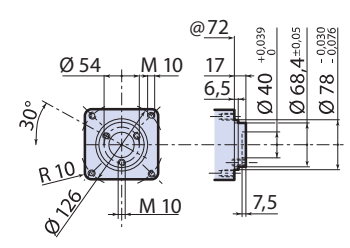
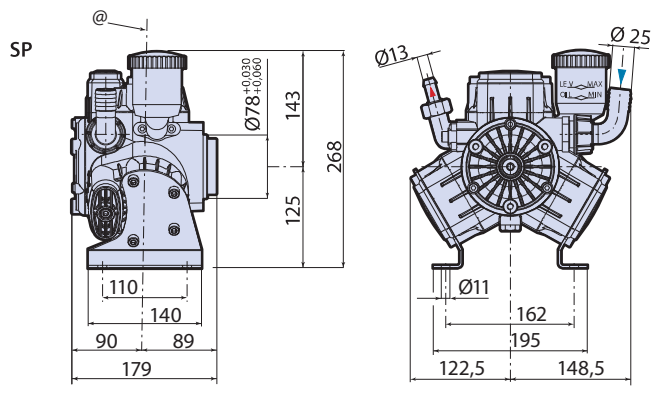
Semi-hydraulic three-diaphragm pump, for use in the semi-professional agricultural sectors. Trolley-mounted in combination with electric motors or internal combustion engines for gardening, and small sprayers for medium-pressure pesticide treatments in gardens, greenhouses, orchards or vineyards.

Parts in contact with pumped liquids in anodized aluminium, and AISI 303/304. Diaphragms in NBR. Seals in NBR. Die-cast casing with oil-immersed mechanism and clear plastic tank for visual level checking. Remote level monitoring sensor on request. Remote oil tank installation kit available on request. Oil drainage stopper. Pistons with ring for a more efficient "oil cushion" system to protect the diaphragm.

New-design diaphragm cut-out system to prevent contact tearing even in heavy-duty operating conditions. Spherical sector profile valves for lower flow resistance and improved volumetric efficiency. Metal fasteners with galvanised finish. Available with reduction gearboxes for electric motors or internal combustion engines and flanges for hydraulic motors, overgears or small cultivating machines.



Details	Value
ARCode	460
Category	Anodized Medium Pressure
Product	AR 403
Version	SP
Number of diaph	3
Delivery (l/min)	40,7
Delivery (gpm)	10.7
Pressure (bar)	40
Pressure (psi)	580
Power (hp)	3,6
RPM	550
Weight (kg)	9
Dimensions (mm) L	271
Dimensions (mm) H	268
Dimensions (mm) W	230
Suction (mm)	ø 25
Outlet (mm)	ø 13
Temperature Max °C	60



@ = Pump axis - Asse pompa

